

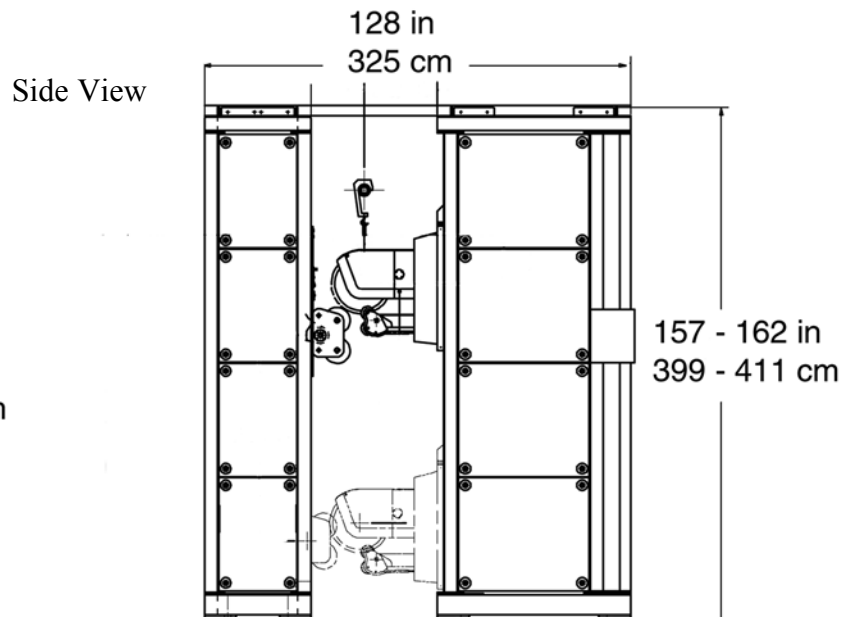
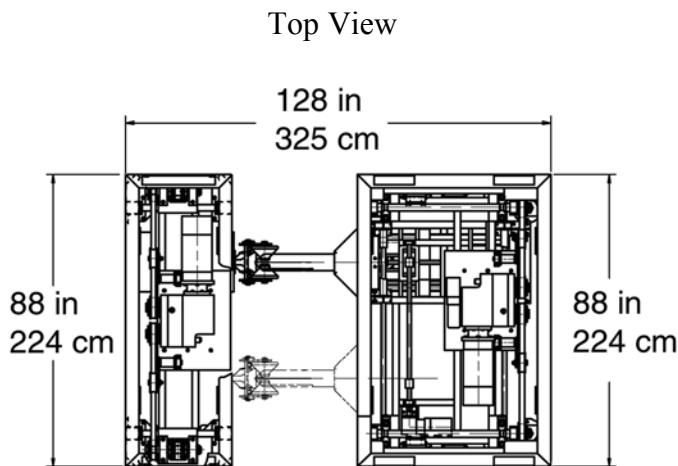
AUTOMATIC HOG SPLITTER

Model JCK-1

The Jarvis Model JCK-1 -
electric - automatic splitter for hogs.
U.S. Patent No. 6,126,536
U.S. Patent No. 6,468,146
Foreign Patents

JARVIS

- Latest technology in automatic hog splitting, capable of 650 head per hour.
- Higher production rates.
- Faster line operations.
- Uniform feather bone division.
- Clean splits with minimum sawdust.
- Higher amounts of specialty products.
- Easier spinal cord removal.
- More bones for meat recovery systems.
- Adapts to any type of slaughter line-gambrels, trolleys, with or without a conveyor.
- Easy to clean and maintain stainless steel construction.



THE ULTIMATE HOG SPLITTING MACHINE

AUTOMATIC HOG SPLITTER

Model JCK-1

Specifications

Drive Electric

Model JCK-1

Operating Air Pressure	90 psi	6.2 bar
Air Requirement @ 90 psi (6.2 bar) / machine	96 ft ³ / minute	2.7 m ³ / minute
Air Consumption (per cycle)	8.7 ft ³	0.25 m ³
Operating Water Pressure	60 psi	4.1 bar
Water Consumption (per sanitization cycle)	1.50 gal	5.7 L
Maximum Production Rate		650 / hour
Controls		
Automatic	PC Based Open Architecture	
Blade Speed	Variable - up to 1410 rpm	
Blade Diameter	18.3 in	465 mm
Overall Dimensions (l x w x h)	88 x 128 x 157 - 162 in	224 x 325 x 399 - 411 cm
Total Weight	9250 lbs	4196 kg
Splitting Station	6050 lbs	2744 kg
Backup Station	3200 lbs	1451 kg

Electric Power Requirements

Operating Voltage	575 V, 3 phase, 60Hz
	Full Load Current 46 amp
	480 V, 3 phase, 60 Hz
	Full Load Current 54 amp
	400 V, 3 phase, 50 Hz
	Full Load Current 62 amp

Equipment Selection and Accessories	Order Number
-------------------------------------	--------------

Model JCK-1	575 V, 3 phase, 60 Hz	4004274
	480 V, 3 phase, 60 Hz	4004270
	380 V, 3 phase, 50 Hz	4004268

Blade	<i>Please specify blade preference when ordering.</i>	
18.3 in diameter x 0.032 in Thick / 465 mm x 0.81 mm Thick - 30 Teeth		1023496
18.3 in diameter x 0.040 in Thick / 465 mm x 1.01 mm Thick - 30 Teeth		1023497
18.3 in diameter x 0.032 in Thick / 465 mm x 0.81 mm Thick - 64 Teeth		1023580
18.3 in diameter x 0.040 in Thick / 465 mm x 1.01 mm Thick - 264 Teeth		1023628
18.3 in diameter x 0.040 in Thick / 465 mm x 1.01 mm Thick - 240 Teeth		1023637



Products for the meat and poultry industry

Jarvis Products Corporation · 33 Anderson Road · Middletown, CT 06457-4926 · United States of America
Telephone (860) 347-7271 · Fax (860) 347-9905 · sales@jarvisproducts.com · www.jarvisproducts.com