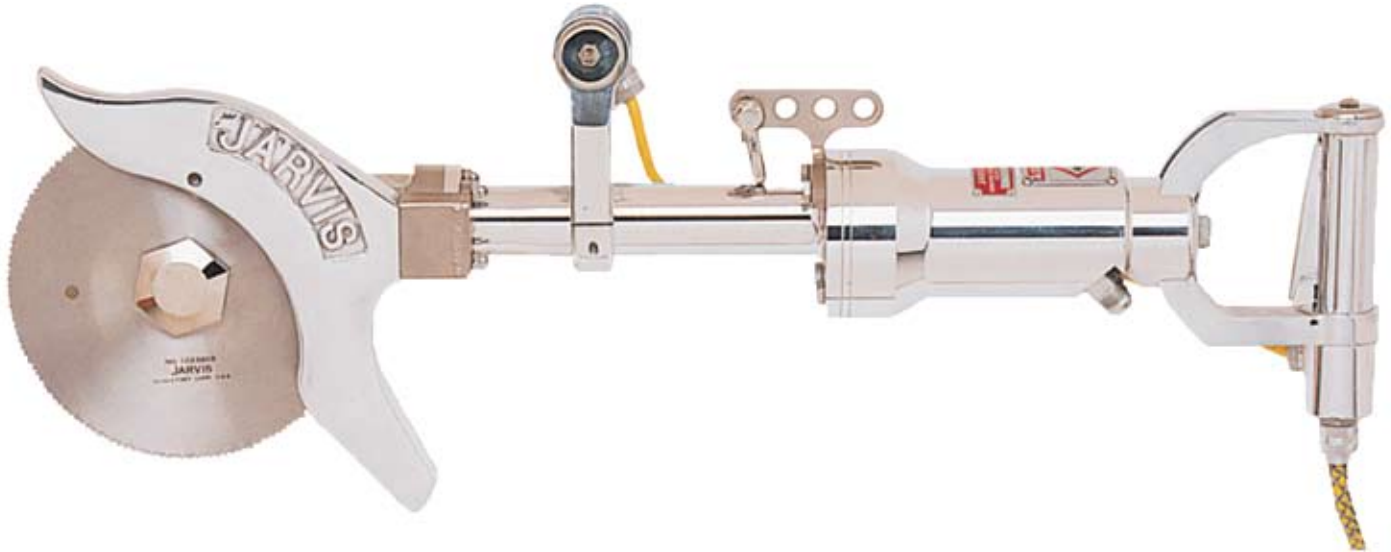


HOG BRISKET SAW

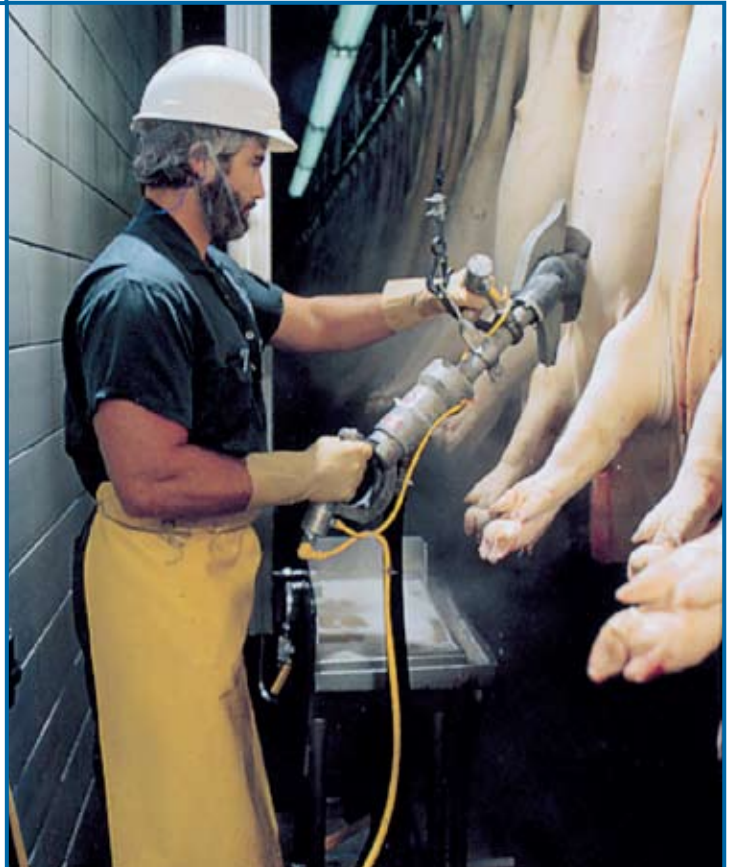
Model HBS-3



**The Jarvis Model HBS-3 -
hydraulically powered brisket saw
for hogs and sows.**

JARVIS

- Cuts through all hog and sow briskets quickly and accurately.
- Fast - a single operator can handle up to 1000 hogs / hour.
- Short overall length, lightweight and adjustable handles for optimum handling and maneuverability.
- Rugged design, including a heavy-duty stainless steel cutting head for long, trouble-free operation.
- Anti-tie down controls and fast blade stop for operator safety.
- Meets national and international requirements for safety and hygiene.



HBS-3: THE ULTIMATE HOG BRISKET SAW

HOG BRISKET SAW

Model HBS-3

Specifications

Drive	Hydraulic
-------	-----------

Model HBS-3

Capacity	1000 / hour
Blade Speed at 5.5 gal / min or 20.8 L / min	1925 rpm
Control Handles	Electric / Dual Anti-tie Down 12 V
Blade Diameters	
Hog	8.0 in 203 mm
Sow	9.0 in 229 mm
Cutting Depths	
Hog	3.0 in 76 mm
Sow	4.0 in 102 mm
Overall Length (with 8.0 in / 203 mm diameter blade)	32 in 813 mm
Weight	30 lbs 13.4 kg

Hydraulic Power Unit

Motor Power	7.5 hp 5593 W
Operating Voltage	460 / 230 V, 3 phase, 60 Hz other voltages and 50 Hz available
Hydraulic Pressure	2000 psi
Oil Flow Rate	5.5 gal / min 20.8 L / min
Hose Length	16 ft 5 m
Oil Capacity	30 gal 114 L
Overall Dimensions (l x w x h)	37.6 x 31.8 x 33.7 in 955 x 808 x 856 mm
Weight (without oil)	410 lbs 186 kg

Equipment Selection and Accessories

Order Number

Model HBS-3		
Hog	with 8.0 in / 203 mm diameter blade	4007016
Sow	with 9.0 in / 229 mm diameter blade	4007017
Hydraulic Power Unit	with hydraulic hoses and control cable	
	380 / 220 V, 3 phase, 60 Hz	4027098
	380 / 220 V, 3 phase, 50 hz	4027134
	460 / 230 V, 3 phase, 60 Hz	4027064
	575 V, 3 phase, 60 Hz	4027094
Balancer		4042046
Blade		
Hog	8.0 in / 203 mm diameter blade	1023203
Sow	9.0 in / 229 mm diameter blade	1023010



Products for the meat and poultry industry

Jarvis Products Corporation · 33 Anderson Road · Middletown, CT 06457-4926 · United States of America
Telephone (860) 347-7271 · Fax (860) 347-9905 · sales@jarvisproducts.com · www.jarvisproducts.com